

ValuStar Thru-Wall Depository

Kingsley thru-wall products are complete one-piece units ready to fit into a prefabricated wall opening and fastened in place. Please follow the simple installation instructions to ensure proper fitment and height. This unit will meet ADA requirements and will be at the correct height to work with Kingsley ballot cart when installed per the dimensions below.

Items included in the package

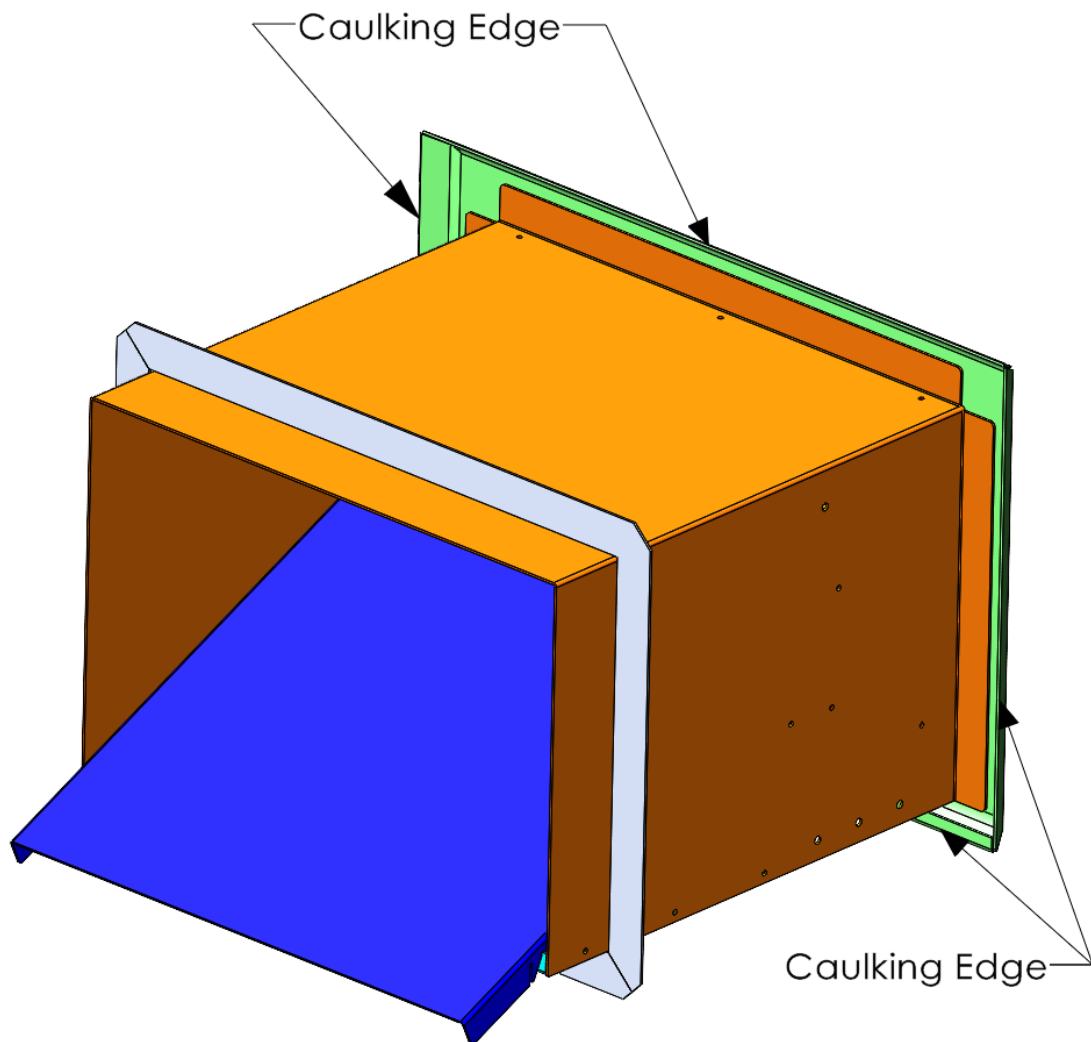
- ValuStar Thru-Wall
- Screws to attach the unit into the wall
- Aluminum back trim piece
- Slide

****Important Information BEFORE Installation****

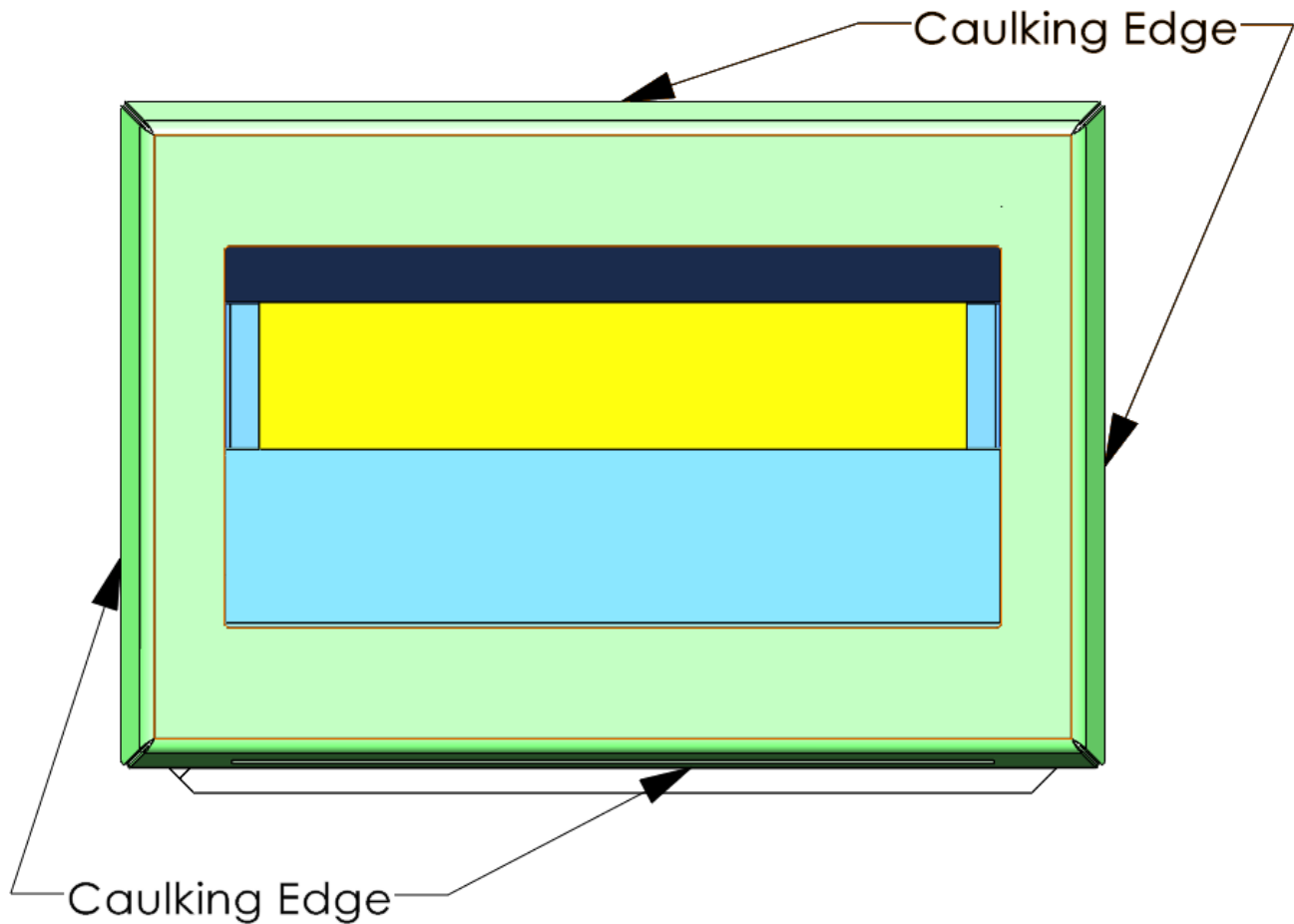
1. To ensure ADA compliance and proper clearance for a Kingsley cart, the thru-wall unit must be installed so that the measurement from the exterior ground to the bottom of the depository opening is 48in.
2. Be aware of the interior and exterior grades of your building. It is imperative that the thru-wall unit is mounted so that the exterior ground height to the bottom of the depository opening is 48in. If the interior and exterior grades are different, then it will affect the cart clearance inside the building.
3. Maximum wall thickness is 12.875in.
4. Cut a rectangular hole in the wall between the studs of 14.5in wide X 10in tall.

Installation Procedure

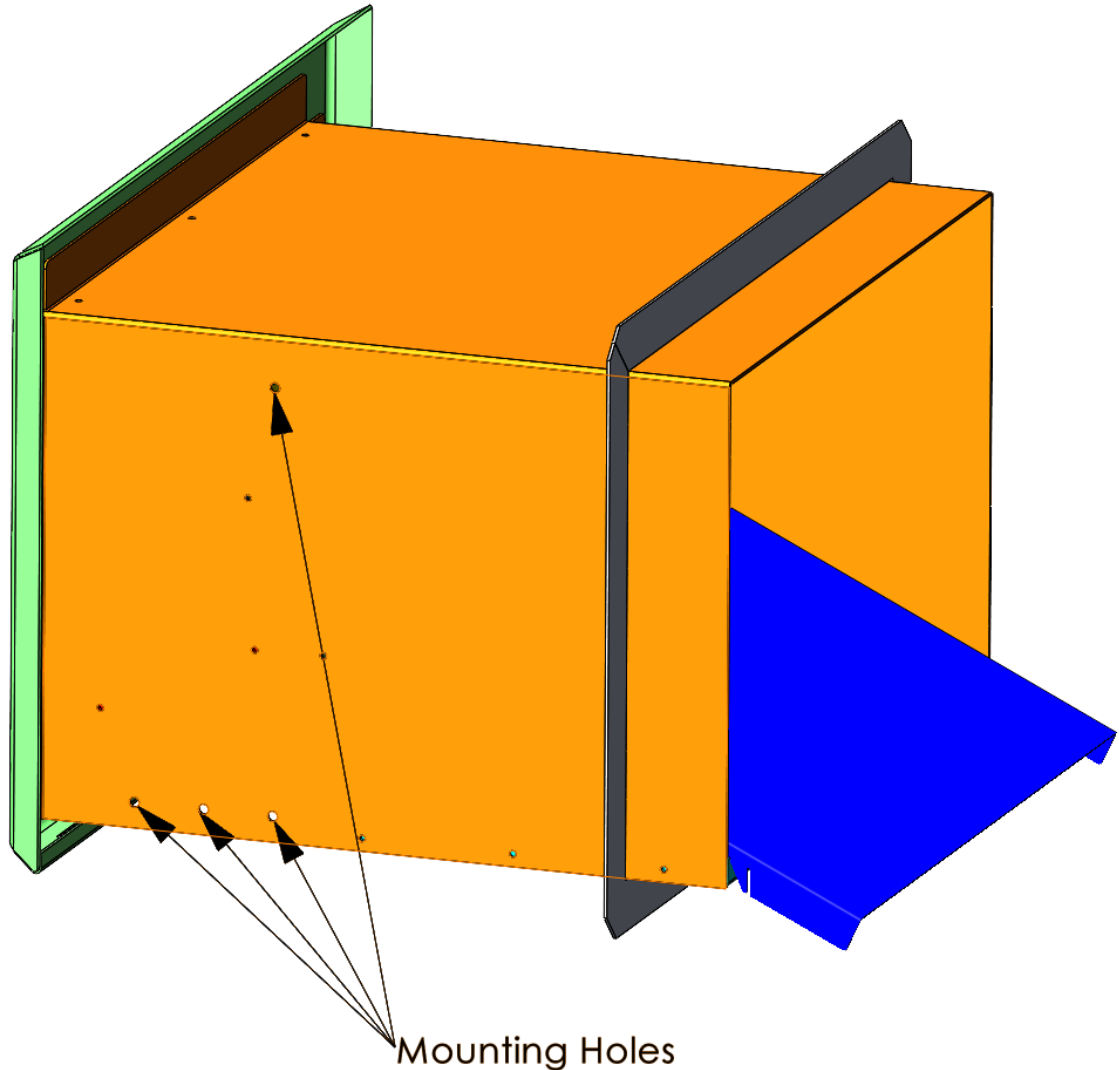
1. Determine if the interior and exterior grades of the building differ.
2. Prior to installing the unit, add caulking or gasket material around the inside edge of the front plate on all four sides.



3. Slide the unit into the wall opening until the front plate is flush with the wall.
4. For additional weatherproofing, caulk around the outer edge on all four sides of the face plate and remove excess caulk to finish.



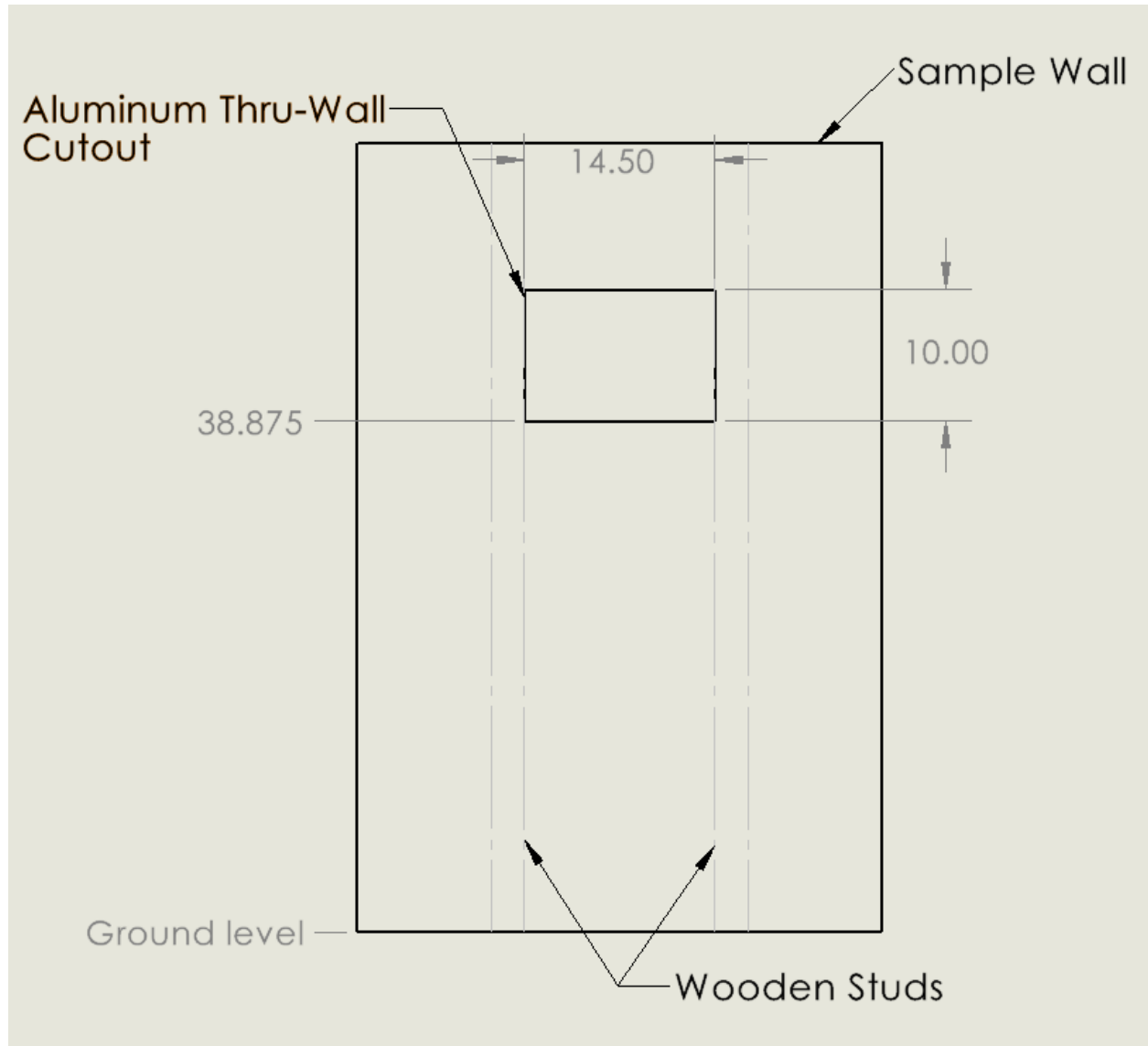
5. The mounting screws are installed from the inside of the unit accessed through the rear.



6. Take the slide and set it onto the retaining pins.
7. Attach the provided interior wall trim around the unit to cover the rough cut of the wall for a finished look.

KINGSLEY is not responsible for the use of liquid or perma sealing solutions in place of standard silicone caulking material in the event that the Through Wall unit needs to be removed or replaced. Caulking refers to standard Silicone sealing material.

Dimensioned wall cutout for ballot thru-wall



The above instructions are based on the interior and exterior grades being at the same level. Please note that the measurement from the ground level to the bottom of the depository opening must be 48" so that the thru-wall unit will be ADA compliant and to allow sufficient clearance for the Kingsley ballot carts.